

TAKSTAR®



User Manual

TS-2200

VHF WIRELESS MICROPHONE

Contents

| | |
|-------------------------------|-------|
| Introduction..... | 02 |
| Features..... | 02 |
| Receiver Function..... | 02-03 |
| Handheld Microphone..... | 03 |
| Operating Instruction..... | 04 |
| Cautions..... | 05 |
| Specifications..... | 05-06 |
| Troubles/Troubleshooting..... | 06 |
| Product Contents..... | 06 |

* Product is subject to update and improvement without prior notice.

* Actual product may differ slightly from the description and photo of this user manual.

Dear Users

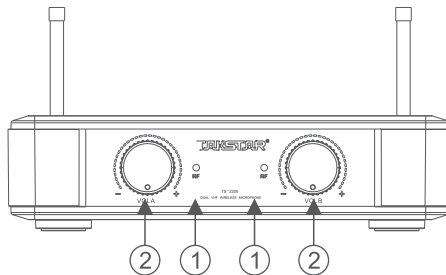
Thanks for purchasing TAKSTAR wireless microphone, this microphone features high frequency, multilevel narrow-band and mid frequency selection filter, multiple squelch control technology effectively reject the interference signal outside. It is ideal for public speech and karaoke application. To exert the best performance of the product, please read through this manual carefully before using, and keep it properly for future reference.

Features

- VHF frequency band for interference-free reception
- Hi-frequency with narrow-band and mid-frequency with selection filter, clear up interference of the hash
- LED power indicator for low battery power warning on handheld microphone
- Transmitter features switching noise shock wave elimination circuit
- Pure Quartz Oscillation circuit for stable frequency performance
- Audio companding technique reduces the noise and increases the dynamic range
- Mixed output (6.3mm) for convenient connection with mixer console or karaoke amplifier

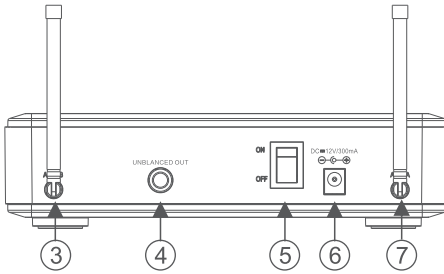
Receiver Function

Front Panel



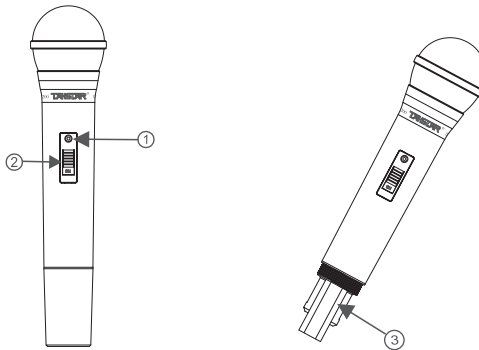
- ① RF Signal Indicator: to indicate the receiving signal
- ② Volume Control Knob: to adjust the output signal of the receiver

Rear Panel



- ③ Antenna B
- ④ Unbalanced Audio Output Port
- ⑤ Power Switch: turn the switch to the ON position to turn on the unit
- ⑥ DC Power Input Port: connect to power adaptor
- ⑦ Antenna A

Handheld Microphone (Transmitter)



- ① Power Indicator: when the microphone is powered on, the indicator flash once and then turns off; the indicator keeps on when the microphone is run out of battery.
- ② Power Switch: push the switch downward, when indicates "OFF", microphone is turned off; pull the switch upward, when indicates "ON", microphone is turned on; push the switch to the middle position for mute mode.
- ③ Battery Compartment: unscrew the cover of the battery compartment counterclockwise, install 9V layer-built battery.

Operating Instruction

1. Install Battery

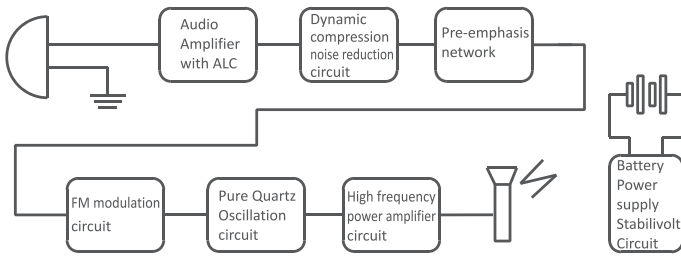
Handheld Microphone: unscrew the tail pipe of the transmitter counterclockwise, install 2pcs 9V battery according the correct polarity, then close the battery cover.

2. Push the switch to the "ON" position, if the power indicator keeps on, please check the battery whether it is under the low voltage.

3. Push the switch to the middle position, the pick up function of the handheld microphone is turned off, receiver output squelch noise.

4. When the microphone is unused for a long periods of time, take out the battery to avoid leakage damage to the microphone.

Microphone Schematic Diagram



Operating Instruction of Receiver

1. Plug the power adaptor into the 220V/50Hz AC power outlet.

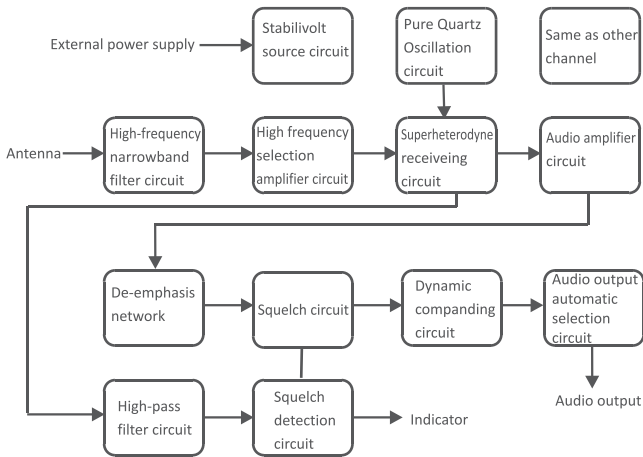
2. Turn on the power switch, power indicator lights up, pull out the antenna A and B, to make it 90 degree angle with the unit.

3. Audio output connection: receiver with mixed audio output circuit, connect to stage equipment with audio connecting cable.

4. When the handheld microphone is turned on, the "RF" indicator of the receiver lights up. Receiver output volume can be controlled by the volume control knob.

5. Unplug the power adaptor when it is unused for a long periods of time.

Receiver Schematic Diagram



Cautions

- Receiver should be installed 1m above the ground and away from the wall
- To ensure the receiving performance, avoid placing the host unit on the dead corner
- When using the handheld microphone, do not throw / drop it, avoid serious damage to the microphone
- Do not expose the unit to the rain and sunlight, keep it away from the electromagnetic field
- Without Takstar's express approve, user is not allowed to make any changes or modifications to the unit, it may cause damage to the unit and void the warranty.
- Do not disassemble the unit by yourself, high pressure inside the unit may hurt your body.

Specifications

Squelch Control: Noise lock

Frequency Deviation: $\pm 18\text{kHz}$

Frequency Response: 80Hz-15kHz

Frequency Steadiness: $\pm 0.005\%$

S/N Ratio: $> 70\text{dB}$

THD: $< 0.5\%(1\text{kHz})$

Number of Channels: 2 channels

Sensitivity: -80dBm

Operating Range: 35m in open area

Receiver Power Supply: External DC=12V/300mA

Transmitter Power Supply: 9V battery

Transmit Power: < 10mW

Frequency Range: 220MHz-270MHz

Output Type: Mixed output (6.3mm)

Troubles/Troubleshooting

| Troubles | Troubleshooting |
|--|---|
| When the receiver is powered on, indicator does not light up | Check the adaptor is plugged well, socket works or not |
| When speak to the microphone, the "RF" indicator is lit , but there is no sound output | Check the microphone power switch is pushed to the middle position, volume knob is turned to the minimum level |
| Operating distance is too short, signal is not stable | Receiver antenna is not pulled out, microphone is run out of battery, please change. The receiver is placed on the wrong places such as ground, dead corner or there is strong electromagnetic interference around, keep the receiver away from the electromagnetic field. To improve working distance, place the receiver on the large metal plate. |
| Sound quality turns bad | The battery of transmitter is run out, please change battery. There is same high frequency band around, do not use two systems with same frequency at one venue simultaneously (the minimum separation distance is 100m) |

If the malfunction is not included in the table above, please do not disassemble the product for repair by yourself. Contact your local dealer for help.

Product Contents

| | |
|------------------------|------|
| TS-2200 Receiver | 1pc |
| Handheld Microphone | 2pcs |
| Audio Connecting Cable | 1pc |
| Power Adaptor | 1pc |
| 9V Battery | 2pcs |
| User Manual | 1pc |

TAKSTAR[®]

Designed & Manufactured by:

Guangdong Takstar Electronic Co., Ltd.

Address: No.2 FuKang YiRd., Longxi Boluo Huizhou Guangdong, 516121China

International Sales:

Tel: +86 752 6383644

Email: sales@takstar.com

Website: www.takstar.com